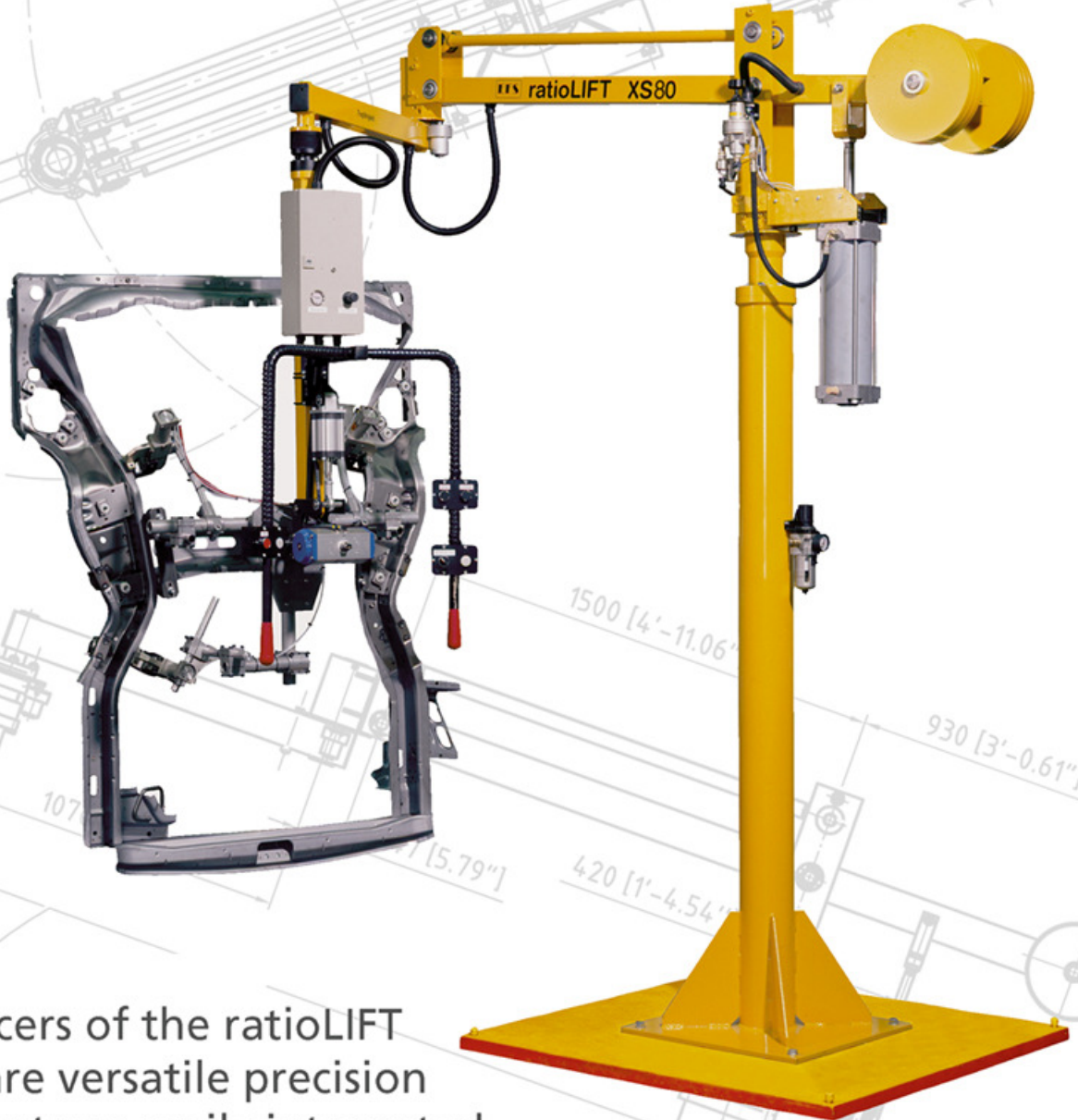


ADVANCE IN MOTION

# ratioLIFT series XS



The balancers of the ratioLIFT series XS are versatile precision devices, that are easily integrated and combined. Their trademark are free movement and a high level of stability.



OVER 25 YEARS OF KNOWHOW



## The All-Rounders

The ratioLIFT series XS devices are pneumatic articulated arm balancers in the ultimate load classes 50kg and 80kg with a working radius of 2,200 mm and a lifting range of 1,460 mm as standard features.

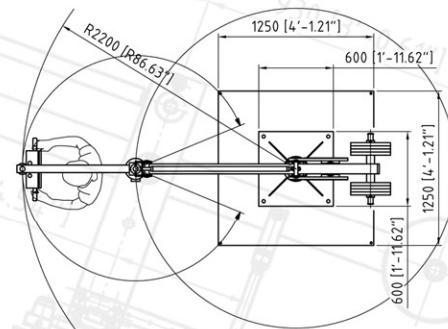
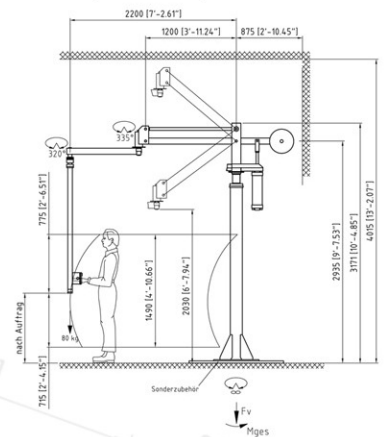
Due to the patented lifting cylinder connection, an EFS trademark, we achieve an consistent balancing performance in the entire lifting area.

The ratioLIFT XS can be operated as pillar device, hanging device are as a device that can be moved within the rail system.

The devices can be combined easily or can be upgraded with different modules. All gripper models (mechanical, vacuum gripper, magnetic gripper, tilt and rotary axis, etc) and pneumatic control models can be combined as well. Due to this extraordinary level of flexibility, each ratioLIFT XS can be modified in accordance to the specific application to achieve optimal performance.

### TECHNICAL DATA

Carrying capacity in the overall work area	50 + 80 kg
Working radius	up to 2,20m
Lifting height	up to 1,49m
Lifting speed	approx. 30 m/min.
Lowering speed	approx. 30 m/min.
Slewing range main column	endless
Operating pressure	6,0 bar
Air consumption per double stroke	23,5 NI
Noise emission	<70 dB
Temperature in work area	+5 up to +50 °C
Design	optional ext. protection
Dead weight	approx. 220 kg
Forces and torques applied to Y-axis	
Normal force Fv	3,00 kN
Overall torque Mges	2,70 kNm



### SPECIFICS

- All types of balancer controls can be used
- Moveable by controls command or semi-automatic via friction wheel drive
- Devices are in accordance with current machinery directives and European standards
- Pneumatic spring accumulator brake in main and couple bearing
- Parts of well-known manufacturers are used to ensure proper quality
- Lifelong lubricated precision bearings are used to reduce maintenance and increase performance

### FIELDS OF APPLICATION

- Light pick up device and light product
- Vehicle seats
- Sunroofs
- Exhaust systems
- Tank systems
- Packaging
- Glass panels

