

# ratioLIFT series L



The RatioLIFT series L are compact rope devices. The simple design, the variable models and the integrated rope direction change offer the operator a handling device with the highest level of flexibility and subtlety, as well as all the advantages of pneumatic balancer technology.





## The Lightweight

The ratioLIFT series L is a pneumatic rope balancer for the variable connection to a rail system, pillar slewing crane or articulated arm boom. Therefore this device can be utilized for a large number of applications.

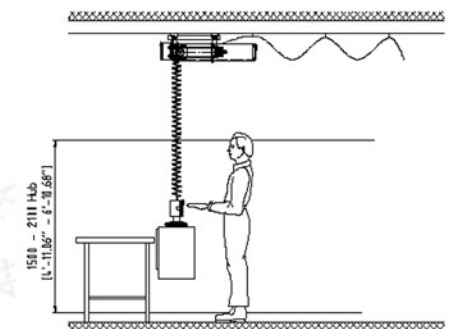
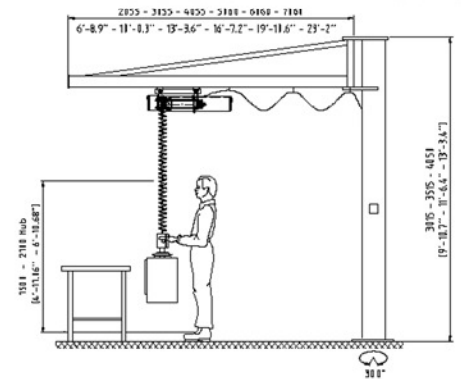
Depending on the scope of work, the ratioLIFT L is assembled with variable modules. No matter if pneumatic balance controls and optional trigger like gas handle, up and down controls, automatic weight recognition - the ratioLIFT L is the right solution for varies handling tasks. The pulley block principle is ideal for large lifting heights and the dual rope model ensures a high level of safety.

Main area of application of the ratioLIFT L is the weightless relocation of products in the correct position.

Due to the light design of the ratioLIFT L, fast cycle times are achieved, which enables the operator to work economically and rationally.

### TECHNICAL DATA

Carrying capacity in the overall work area	up to 150 kg
Working radius	up to 2,20m
Lifting height	up to 2,10m
Lifting speed	approx. 30 m/min.
Lowering speed	approx. 30 m/min.
Slewing range main column	endless
Operating pressure	6,0 bar
Air consumption per double stroke	23,5 NI
Noise emission	<70 dB
Temperature in work area	+5 up to +50 °C
Design	optional ext. protection
Dead weight	45 - 63 kg
Forces and torques applied to Y-axis	
Normal force Fv	3,00 kN
Overall torque Mges	2,70 kNm



### SPECIFICS

- special light running for the up and down movement
- simple maintenance, easy rope replacement
- Dual rope model
- variable models possible due to module design

### FIELDS OF APPLICATION

- Packaging
- Vehicle batteries
- Vehicle seats
- Wheel carriers
- Rollers
- Mechanical assemblies
- plates
- glas panels
- vehicle tanks

